

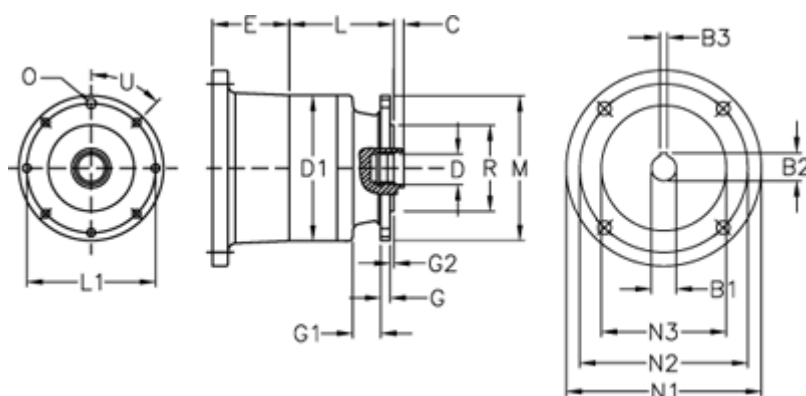
Data Sheet



Article number: 4730003006350461

Description: Trasmital 300 L3-63,2 FZ-P 80
splined output hollow shaft

Measures



B1 = 19	G1 = 36	O = 8x10,5
B2 = 21.5	G2 = 5	R = 110
B3 = 8	L = 186	U degrees = 45
C = 14	l1 = 165	
D = A40x36	M = 185	
D1 = 185	N1 = 200	
E = 84	N2 = 165	
G = 12	N3 = 130	